

Recessed CE5035

CE5035-A180



CE5035-A180

Basic Parameters

Application	Indoor
Material	AL6063-T5,spraying surface
IP Grade	IP20
Warranty	5 years

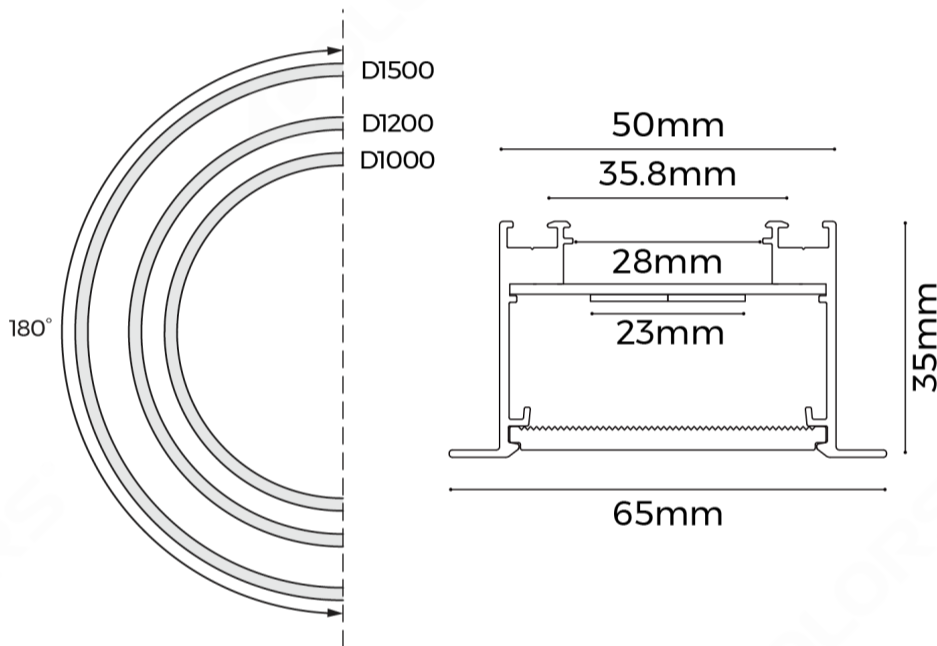
Electrical Parameters

Optical Parameters

Length	D1000mm,D1200mm,D1500mm
Luminous Efficacy	90LM/W



Dimensions

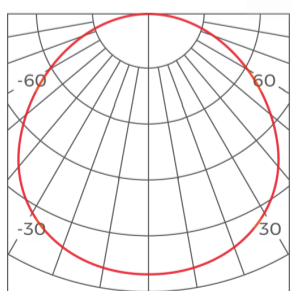


Luminaire Parameters

Version	Size(mm)	Power(W)	PCB Current(A)	CRI	CCT	Lumens(LM) @White, Sliver	Lumens(LM) @Black
Regular	D1000mm	36	1.5	>80	4000K	3240	2754
Regular	D1200mm	43	1.79	>80	4000K	3870	3289
Regular	D1500mm	55	2.29	>80	4000K	4950	4207
Regular	D1000mm	36	1.5	>90	4000K	2786	2368
Regular	D1200mm	43	1.79	>90	4000K	3328	2828
Regular	D1500mm	55	2.29	>90	4000K	4257	3618

Light Distribution

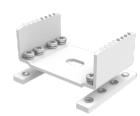
Regular-110°



h(m)	D(cm)	E(lx)
1	1151	45
2	287	1113
3	575	278
4	863	122

Common Accessories

Splicing accessory



EX-E16

Applicable product model: CS5035/CE5035 Material process:SPCC/ Electroplating Size: L46.5*W30*H18mm Quantity: 1 PCS/SET Other:Includes mounting screws.

Dedicated light source



DM51202423

Applicable product model: CS5035/CS5070/CE5035(stick a single strip) CS7035/CS7070/CE7035(paste two strips placed parallel to each other) Size: 4000*23*1.5mm/5000*23*1.5mm Cutting Unit:50mm Input Voltage:DC24V Typ.Power:14.4W/M(5M/roll); 24W/M(4M/roll) Typ.luminous flux: 800LM/M@RGBNW(5M/roll) 1320LM/M@RGBNW(4M/roll) CCT:RGB(DMX)+2700/RGB(DMX)+3000/RGB(DMX)+4000/RGB(DMX)+6000K CRI: RA80 @ white light Other:20# wire diameter,outer diameter 5.5mm, PVC material,5PIN red/black/green/blue/white wire



DS81602423

Applicable product model: CS5035/CS5070/CE5035(stick a single strip) CS7035/CS7070/CE7035(paste two strips placed parallel to each other) Size: 4000*23*1.5mm/5000*23*1.5mm Cutting Unit:50mm Input Voltage:DC24V Typ.Power:14.4W/M(5M/roll); 24W/M(4M/roll) Typ.luminous flux: 2300LM/M@RA80,4000k(5M/roll) 3600LM/M@RA80,4000k(4M/roll) CCT: 2700/3000/3500/4000/5000/6500K CRI: 80/90 Other:18# wire diameter,PVC material, 2PIN red-black wire

Cover



CV-CS5035D

Applicable product model:CS5035/CS5070/CE5035(suitable for down-lighting) Diffuser Nature: Diffuser Material process: Silica gel flexible/frosting Light transmittance:≥55% Size: 20000*47*4mm Other: Fire protection rating UL94-V2 ;

Controller



CR2-GBA

Product Name: CR2-GBA Input Voltage: 12-48V Output Current:8A*2CH,Max 16A Output Power:192W/384W@12V/24V , 384W/576W@36V/48V Dimming Mode: Two-color 2.4 remote control IP:IP20 Product Size:L175*W45*H27(mm)



K-1000C

Product Name: K-1000C Input voltage: 5-24V Control Pixel Points:Point Control 1CH*1024(SPI),Point Control 1CH*512(DMX) Dimming mode: DMX/SPI control IP:IP20Warranty: 5 years



K-8000C

Product Name: K-8000C Input Voltage: 5-24V Control Pixel Points:Point Control 8CH*1024(SPI),Point Control 8CH*512(DMX) Dimming mode:DMX/SPI control IP:IP20Warranty: 5 years

End cap accessory



EC-ME5035

Applicable product model: ME5035 Material process: aluminum/ powder spraying Size: L65*W35*H2.5mm Quantity:2PCS/ set

Installation accessory



CP-54

Applicable product model: MS5035/MS5070/ME5035 Applicable installation: Pendant/Ceiling/Recessed Material process: Stainless Steel Size: L37.87*W20*H5.4mm Quantity: 4 PCS/SET



RB-04

Applicable product model: ME3535/ME5035/ME7035 Installation method: Recessed Material process: aluminum alloy/oil spray Size: 24*6.9*15.7mm Quantity: 4PCS/ set

CCT-Remote control



R7-1

Product Name:R7-1 Dual Color Remote
 Working Voltage : 3VDC (Battery CR2032)
 Operating Frequency:2.4GHz
 Remote Control Distance: 30 meters
 Operating Temperature: -30°C~55°C
 Product Size: L107*W58.5*H9(mm)

Power Supply

BK-DEV200-24V0D



Applicable product model: General
 Dimming mode: DALI2,PUSH-dimming,1-10V 3in1 dimming
 Size: 361*33.1*22.8mm
 Input voltage: AC200~240V
 Operating frequency: 50/60Hz
 PF value: ≥0.9
 Output voltage: DC24V
 Output current: ≤8.3A
 Power: 200W
 Efficiency: 0.92
 Certification: TUV, CE, RCM
 Case material: Metal housing

BK-DGVX-24V0D



Product Name: BK-DGV036-24V0D/BK-DGV060-24V0D/BK-DGV100-24V0D
 Applicable product model: General
 Output power: 36W/60W/100W
 Output current: ≤1.5A/≤2.5A/≤4.2A
 Product size: 245.0*30.0*21.0mm/285.0*30.0*21.0mm/355.0*30.0*21.0mm
 Input voltage: AC200~240V
 Input voltage: AC200~240V
 Operating frequency: 50/60Hz
 Output voltage: DC24V
 PF value: ≥0.9
 Efficiency: ≥0.88
 IP: IP20
 Dimming mode: DALI-2,PUSH-Dimming,1-10V 3in1 Dimming
 Certification: CE, ENEC, UKCA, RCM, CCC, EL
 Material: Metal housing
 Warranty: 5 years

BK-MEV200-24V0M



Applicable product model: General
 Dimming mode: 1-10V Dimming
 Size: 321.5*48*30mm
 Input voltage: AC200~240V
 Operating frequency: 50/60Hz
 PF value: ≥0.9
 Output voltage: DC24V
 Output current: ≤8.3A
 Power: 200W
 Efficiency: 0.93
 Certification: CE, ENEC, UKCA, RCM, CCC, EL
 Case material: Metal housing

BK-MGVX-24V0M



Product Name: BK-MGV036-24V0M/BK-MGV060-24V0M/BK-MGV100-24V0M
 Applicable product model: General
 Output power: 36W/60W/100W
 Output current: ≤1.5A/≤2.5A/≤4.2A
 Product size: 245.0*30.0*21.0mm/285.0*30.0*21.0mm/355.0*30.0*21.0mm
 Input voltage: AC200~240V
 Operating frequency: 50/60Hz
 Output voltage: DC24V
 PF value: ≥0.9
 Efficiency: ≥0.89
 IP: IP20
 Dimming mode: 1-10V Dimming
 Certification: TUV, CE, ENEC, RCM
 Material: Metal housing
 Warranty: 5 years

Packing

QTY/CTN	N. WT (ctn)	G.WT (ctn)	Size (cm/carton)	Product Size (mm)
20	21.8	23.98	123*106*34	D1000*50*35mm
16	21.2	23.32	142.5*126*27.5	D1200*50*35mm
15	25	27.5	156*130*34	D1500*50*35mm

Attentions

1. Non-professionals are prohibited from installing, disassembling and repairing the product.
2. Avoid scratching, distortion and irregular bending of the product during installation; otherwise it may cause irreparable damage to the product.
3. Please use professional cutting tools when cutting.
4. Do not use any acid or alkaline adhesive to fix products.
5. The product is only suitable for indoor dry places, can not be used in outdoor, seaside or wet environment.
6. PC features: Each 10°C rise or drop will make diffuser extend or shrink 0.8mm/m[0.01"/ft], please confirm before processing and use.